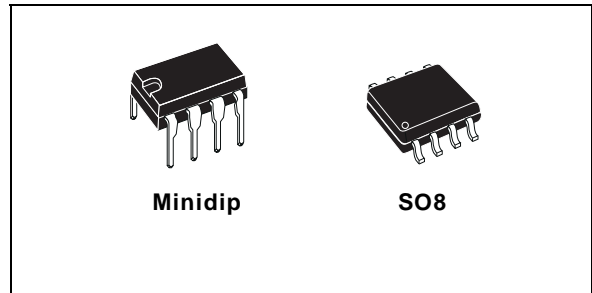




# UC2842A/3A/4A/5A UC3842A/3A/4A/5A

## HIGH PERFORMANCE CURRENT MODE PWM CONTROLLER

- TRIMMED OSCILLATOR DISCHARGE CURRENT
- CURRENT MODE OPERATION TO 500kHz
- AUTOMATIC FEED FORWARD COMPENSATION
- LATCHING PWM FOR CYCLE-BY-CYCLE CURRENT LIMITING
- INTERNALLY TRIMMED REFERENCE WITH UNDERVOLTAGE LOCKOUT
- HIGH CURRENT TOTEM POLE OUTPUT
- UNDERVOLTAGE LOCKOUT WITH HYSTERESIS
- LOW START-UP CURRENT (< 0.5mA)
- DOUBLE PULSE SUPPRESSION



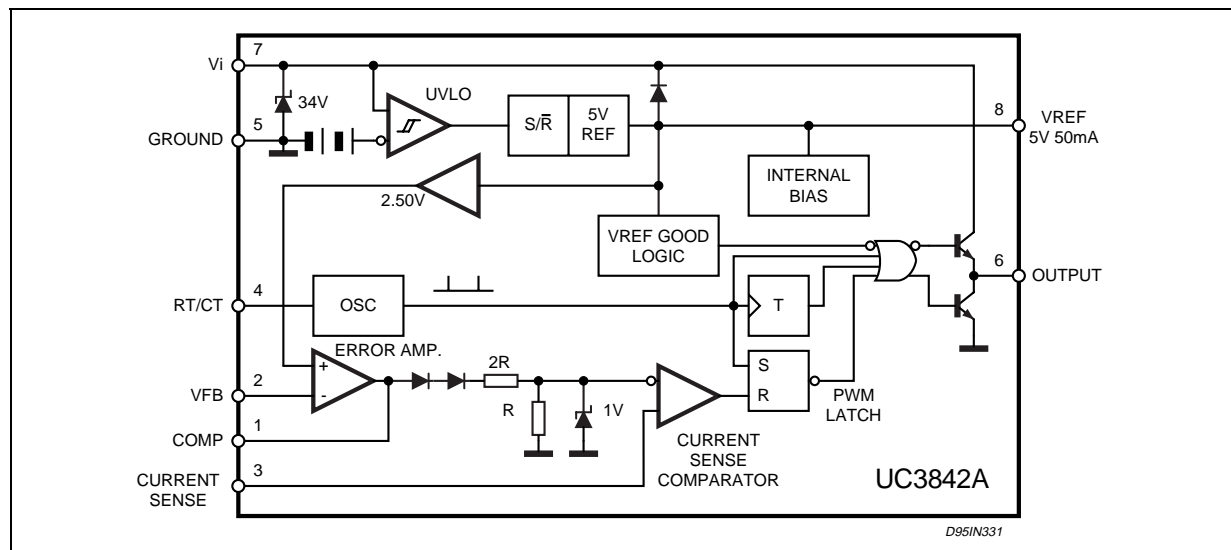
comparator which also provides current limit control, and a totem pole output stage designed to source or sink high peak current. The output stage, suitable for driving N-Channel MOSFETs, is low in the off-state.

Differences between members of this family are the under-voltage lockout thresholds and maximum duty cycle ranges. The UC3842A and UC3844A have UVLO thresholds of 16V (on) and 10V (off), ideally suited off-line applications. The corresponding thresholds for the UC3843A and UC3845A are 8.5 V and 7.9V. The UC3842A and UC3843A can operate to duty cycles approaching 100%. A range of the zero to < 50 % is obtained by the UC3844A and UC3845A by the addition of an internal toggle flip flop which blanks the output off every other clock cycle.

### DESCRIPTION

The UC384xA family of control ICs provides the necessary features to implement off-line or DC to DC fixed frequency current mode control schemes with a minimal external parts count. Internally implemented circuits include a trimmed oscillator for precise DUTY CYCLE CONTROL under voltage lockout featuring start-up current less than 0.5mA, a precision reference trimmed for accuracy at the error amp input, logic to insure latched operation, a PWM

### BLOCK DIAGRAM (toggle flip flop used only in UC3844A and UC3845A)



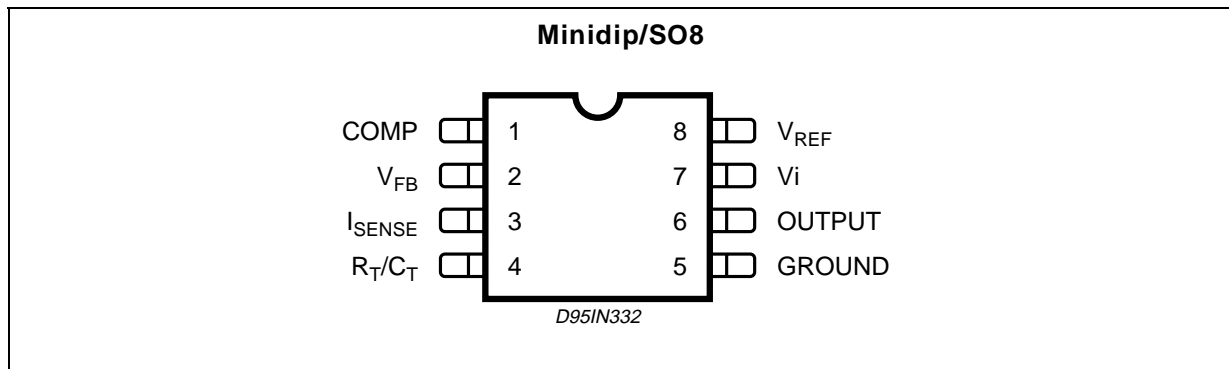
## UC2842A/3A/4A/5A - UC3842A/3A/4A/5A

### ABSOLUTE MAXIMUM RATINGS

| Symbol    | Parameter  | Value         | Unit             |
|-----------|--|---------------|------------------|
| $V_i$     | Supply Voltage (low impedance source)                          | 30            | V                |
| $V_i$     | Supply Voltage ( $I_i < 30\text{mA}$ )                         | Self Limiting |                  |
| $I_o$     | Output Current   | $\pm 1$       | A                |
| $E_o$     | Output Energy (capacitive load)                                | 5             | $\mu\text{J}$    |
|           | Analog Inputs (pins 2, 3)                                      | - 0.3 to 5.5  | V                |
|           | Error Amplifier Output Sink Current                            | 10            | mA               |
| $P_{tot}$ | Power Dissipation at $T_{amb} \leq 25^\circ\text{C}$ (Minidip) | 1.25          | W                |
| $P_{tot}$ | Power Dissipation at $T_{amb} \leq 25^\circ\text{C}$ (SO8)     | 800           | mW               |
| $T_{stg}$ | Storage Temperature Range                                      | - 65 to 150   | $^\circ\text{C}$ |
| $T_J$     | Junction Operating Temperature                                 | - 40 to 150   | $^\circ\text{C}$ |
| $T_L$     | Lead Temperature (soldering 10s)                               | 300           | $^\circ\text{C}$ |

\* All voltages are with respect to pin 5, all currents are positive into the specified terminal.

### PIN CONNECTION (top view)



### PIN FUNCTIONS

| No | Function    | Description   |
|----|-------------|---|
| 1  | COMP        | This pin is the Error Amplifier output and is made available for loop compensation.   |
| 2  | $V_{FB}$    | This is the inverting input of the Error Amplifier. It is normally connected to the switching power supply output through a resistor divider.                                   |
| 3  | $I_{SENSE}$ | A voltage proportional to inductor current is connected to this input. The PWM uses this information to terminate the output switch conduction.                                 |
| 4  | $R_T/C_T$   | The oscillator frequency and maximum Output duty cycle are programmed by connecting resistor $R_T$ to $V_{ref}$ and capacitor $C_T$ to ground. Operation to 500kHz is possible. |
| 5  | GROUND      | This pin is the combined control circuitry and power ground.  |
| 6  | OUTPUT      | This output directly drives the gate of a power MOSFET. Peak currents up to 1A are sourced and sunk by this pin.  |
| 7  | $V_{CC}$    | This pin is the positive supply of the control IC.  |
| 8  | $V_{ref}$   | This is the reference output. It provides charging current for capacitor $C_T$ through resistor $R_T$ .   |

### ORDERING NUMBERS

| SO8                  | Minidip            |
|----------------------|--------------------|
| UC2842AD1; UC3842AD1 | UC2842AN; UC3842AN |
| UC2843AD1; UC3843AD1 | UC2843AN; UC3843AN |
| UC2844AD1; UC3844AD1 | UC2844AN; UC3844AN |
| UC2845AD1; UC3845AD1 | UC2845AN; UC3845AN |

**THERMAL DATA**

| Symbol          | Description                          | Minidip  | SO8 | Unit |
|-----------------|--------------------------------------|----------|-----|------|
| $R_{th\ j-amb}$ | Thermal Resistance Junction-ambient. | max. 100 | 150 | °C/W |

**ELECTRICAL CHARACTERISTICS** ( [note 1] Unless otherwise stated, these specifications apply for  $-25 \leq T_{amb} \leq 85^{\circ}\text{C}$  for UC284XA;  $0 \leq T_{amb} \leq 70^{\circ}\text{C}$  for UC384XA;  $V_i = 15\text{V}$  (note 5);  $R_T = 10\text{K}$ ;  $C_T = 3.3\text{nF}$ )

| Symbol                       | Parameter                                   | Test Conditions  | UC284XA |      |      | UC384XA |      |      | Unit          |
|------------------------------|---|--|---------|------|------|---------|------|------|---------------|
|                              |   |  | Min.    | Typ. | Max. | Min.    | Typ. | Max. |               |
| <b>REFERENCE SECTION</b>     |   |  |         |      |      |         |      |      |               |
| $V_{REF}$                    | Output Voltage                              | $T_j = 25^{\circ}\text{C}$ $I_o = 1\text{mA}$                              | 4.95    | 5.00 | 5.05 | 4.90    | 5.00 | 5.10 | V             |
| $\Delta V_{REF}$             | Line Regulation                             | $12\text{V} \leq V_i \leq 25\text{V}$                                      |         | 2    | 20   |         | 2    | 20   | mV            |
| $\Delta V_{REF}$             | Load Regulation                             | $1 \leq I_o \leq 20\text{mA}$  |         | 3    | 25   |         | 3    | 25   | mV            |
| $\Delta V_{REF}/\Delta T$    | Temperature Stability                       | (Note 2)   |         | 0.2  |      |         | 0.2  |      | mV/°C         |
|                              | Total Output Variation                      | Line, Load, Temperature  | 4.9     |      | 5.1  | 4.82    |      | 5.18 | V             |
| $e_N$                        | Output Noise Voltage                        | $10\text{Hz} \leq f \leq 10\text{KHz}$ $T_j = 25^{\circ}\text{C}$ (note 2) |         | 50   |      |         | 50   |      | $\mu\text{V}$ |
|                              | Long Term Stability                         | $T_{amb} = 125^{\circ}\text{C}$ , 1000Hrs (note 2)                         |         | 5    | 25   |         | 5    | 25   | mV            |
| $I_{SC}$                     | Output Short Circuit                        |  | -30     | -100 | -180 | -30     | -100 | -180 | mA            |
| <b>OSCILLATOR SECTION</b>    |   |  |         |      |      |         |      |      |               |
| $f_{OSC}$                    | Frequency                                   | $T_j = 25^{\circ}\text{C}$   | 47      | 52   | 57   | 47      | 52   | 57   | KHz           |
| $\Delta f_{OSC}/\Delta V$    | Frequency Change with Volt.                 | $V_{CC} = 12\text{V}$ to $25\text{V}$                                      | -       | 0.2  | 1    | -       | 0.2  | 1    | %             |
| $\Delta f_{OSC}/\Delta T$    | Frequency Change with Temp.                 | $T_A = T_{low}$ to $T_{high}$  | -       | 5    | -    | -       | 5    | -    | %             |
| $V_{OSC}$                    | Oscillator Voltage Swing                    | (peak to peak)   | -       | 1.6  | -    | -       | 1.6  | -    | V             |
| $I_{dischg}$                 | Discharge Current ( $V_{OSC} = 2\text{V}$ ) | $T_j = 25^{\circ}\text{C}$   | 7.8     | 8.3  | 8.8  | 7.8     | 8.3  | 8.8  | mA            |
| <b>ERROR AMP SECTION</b>     |   |  |         |      |      |         |      |      |               |
| $V_2$                        | Input Voltage                               | $V_{PIN1} = 2.5\text{V}$   | 2.45    | 2.50 | 2.55 | 2.42    | 2.50 | 2.58 | V             |
| $I_b$                        | Input Bias Current                          | $V_{FB} = 5\text{V}$   |         | -0.1 | -1   |         | -0.1 | -2   | $\mu\text{A}$ |
|                              | $A_{VOL}$                                   | $2\text{V} \leq V_o \leq 4\text{V}$  | 65      | 90   |      | 65      | 90   |      | dB            |
| BW                           | Unity Gain Bandwidth                        | $T_j = 25^{\circ}\text{C}$   | 0.7     | 1    |      | 0.7     | 1    |      | MHz           |
| PSRR                         | Power Supply Rejec. Ratio                   | $12\text{V} \leq V_i \leq 25\text{V}$                                      | 60      | 70   |      | 60      | 70   |      | dB            |
| $I_o$                        | Output Sink Current                         | $V_{PIN2} = 2.7\text{V}$ $V_{PIN1} = 1.1\text{V}$                          | 2       | 12   |      | 2       | 12   |      | mA            |
| $I_o$                        | Output Source Current                       | $V_{PIN2} = 2.3\text{V}$ $V_{PIN1} = 5\text{V}$                            | -0.5    | -1   |      | -0.5    | -1   |      | mA            |
|                              | $V_{OUT}$ High                              | $V_{PIN2} = 2.3\text{V}$ ;<br>$R_L = 15\text{K}\Omega$ to Ground           | 5       | 6.2  |      | 5       | 6.2  |      | V             |
|                              | $V_{OUT}$ Low                               | $V_{PIN2} = 2.7\text{V}$ ;<br>$R_L = 15\text{K}\Omega$ to Pin 8            |         | 0.8  | 1.1  |         | 0.8  | 1.1  | V             |
| <b>CURRENT SENSE SECTION</b> |   |  |         |      |      |         |      |      |               |
| $G_V$                        | Gain  | (note 3 & 4)   | 2.85    | 3    | 3.15 | 2.85    | 3    | 3.15 | V/V           |
| $V_3$                        | Maximum Input Signal                        | $V_{PIN1} = 5\text{V}$ (note 3)  | 0.9     | 1    | 1.1  | 0.9     | 1    | 1.1  | V             |
| SVR                          | Supply Voltage Rejection                    | $12 \leq V_i \leq 25\text{V}$ (note 3)                                     |         | 70   |      |         | 70   |      | dB            |
| $I_b$                        | Input Bias Current                          |  |         | -2   | -10  |         | -2   | -10  | $\mu\text{A}$ |
|                              | Delay to Output                             |  |         | 150  | 300  |         | 150  | 300  | ns            |

## UC2842A/3A/4A/5A - UC3842A/3A/4A/5A

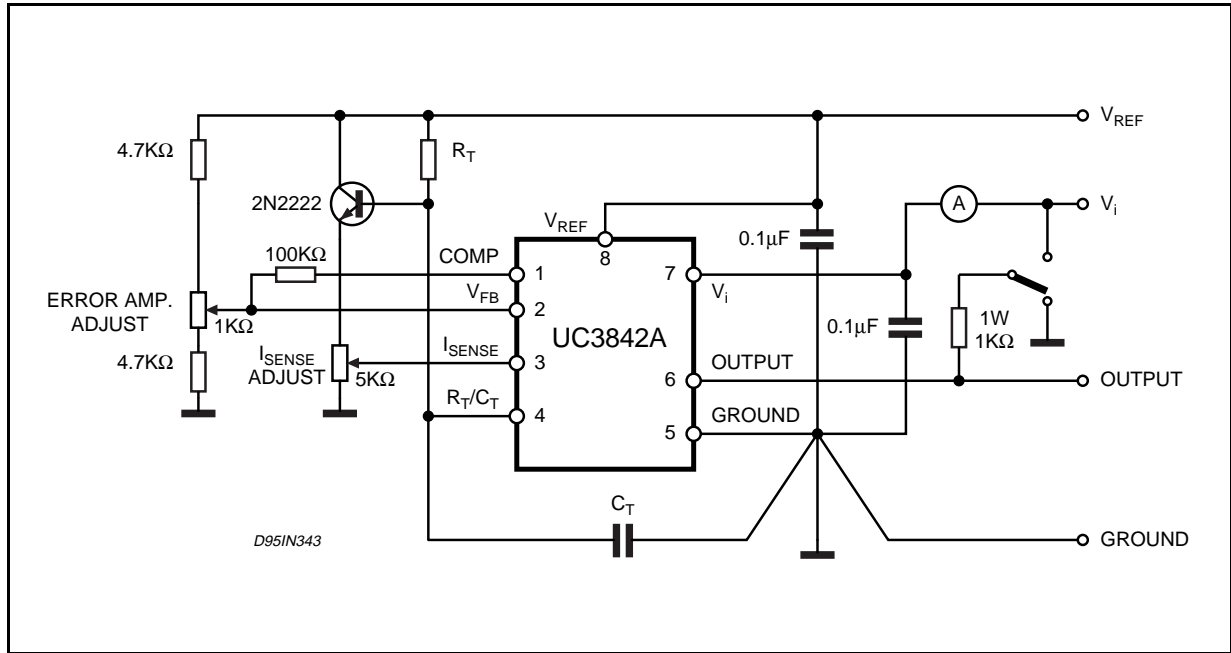
### ELECTRICAL CHARACTERISTICS (continued)

| Symbol                               | Parameter                           | Test Conditions                                | UC284XA |      |      | UC384XA |      |      | Unit |
|--------------------------------------|-------------------------------------|--|---------|------|------|---------|------|------|------|
|                                      |                                     |  | Min.    | Typ. | Max. | Min.    | Typ. | Max. |      |
| <b>OUTPUT SECTION</b>                |                                     |  |         |      |      |         |      |      |      |
| V <sub>OL</sub>                      | Output Low Level                    | I <sub>SINK</sub> = 20mA                       |         | 0.1  | 0.4  |         | 0.1  | 0.4  | V    |
|                                      |                                     | I <sub>SINK</sub> = 200mA                      |         | 1.6  | 2.2  |         | 1.6  | 2.2  | V    |
| V <sub>OH</sub>                      | Output High Level                   | I <sub>SOURCE</sub> = 20mA                     | 13      | 13.5 |      | 13      | 13.5 |      | V    |
|                                      |                                     | I <sub>SOURCE</sub> = 200mA                    | 12      | 13.5 |      | 12      | 13.5 |      | V    |
| V <sub>OLS</sub>                     | UVLO Saturation                     | V <sub>CC</sub> = 6V; I <sub>SINK</sub> = 1mA  |         | 0.7  | 1.2  |         | 0.7  | 1.2  | V    |
| t <sub>r</sub>                       | Rise Time                           | T <sub>j</sub> = 25°C C <sub>L</sub> = 1nF (2) |         | 50   | 150  |         | 50   | 150  | ns   |
| t <sub>f</sub>                       | Fall Time                           | T <sub>j</sub> = 25°C C <sub>L</sub> = 1nF (2) |         | 50   | 150  |         | 50   | 150  | ns   |
| <b>UNDER-VOLTAGE LOCKOUT SECTION</b> |                                     |  |         |      |      |         |      |      |      |
|                                      | Start Threshold                     | X842A/4A                                       | 15      | 16   | 17   | 14.5    | 16   | 17.5 | V    |
|                                      |                                     | X843A/5A                                       | 7.8     | 8.4  | 9.0  | 7.8     | 8.4  | 9.0  | V    |
|                                      | Min Operating Voltage After Turn-on | X842A/4A                                       | 9       | 10   | 11   | 8.5     | 10   | 11.5 | V    |
|                                      |                                     | X843A/5A                                       | 7.0     | 7.6  | 8.2  | 7.0     | 7.6  | 8.2  | V    |
| <b>PWM SECTION</b>                   |                                     |  |         |      |      |         |      |      |      |
|                                      | Maximum Duty Cycle                  | X842A/3A                                       | 94      | 96   | 100  | 94      | 96   | 100  | %    |
|                                      |                                     | X844A/5A                                       | 47      | 48   | 50   | 47      | 48   | 50   | %    |
|                                      | Minimum Duty Cycle                  |  |         |      | 0    |         |      | 0    | %    |
| <b>TOTAL STANDBY CURRENT</b>         |                                     |  |         |      |      |         |      |      |      |
| I <sub>st</sub>                      | Start-up Current                    | V <sub>i</sub> = 6.5V for UCX843A/45A          |         | 0.3  | 0.5  |         | 0.3  | 0.5  | mA   |
|                                      |                                     | V <sub>i</sub> = 14V for UCX842A/44A           |         | 0.3  | 0.5  |         | 0.3  | 0.5  | mA   |
| I <sub>i</sub>                       | Operating Supply Current            | V <sub>PIN2</sub> = V <sub>PIN3</sub> = 0V     |         | 12   | 17   |         | 12   | 17   | mA   |
| V <sub>iz</sub>                      | Zener Voltage                       | I <sub>i</sub> = 25mA                          | 30      | 36   |      | 30      | 36   |      | V    |

- Notes :**
1. Max package power dissipation limits must be respected; low duty cycle pulse techniques are used during test maintain T<sub>j</sub> as close to T<sub>amb</sub> as possible.
  2. These parameters, although guaranteed, are not 100% tested in production.
  3. Parameter measured at trip point of latch with V<sub>PIN2</sub> = 0.
  4. Gain defined as :  

$$A = \frac{\Delta V_{PIN1}}{\Delta V_{PIN3}} ; 0 \leq V_{PIN3} \leq 0.8 \text{ V}$$
  5. Adjust V<sub>i</sub> above the start threshold before setting at 15 V.

Figure 1: Open Loop Test Circuit.



High peak currents associated with capacitive loads necessitate careful grounding techniques. Timing and bypass capacitors should be connected close

to pin 5 in a single point ground. The transistor and 5 KΩ potentiometer are used to sample the oscillator waveform and apply an adjustable ramp to pin 3.

Figure 2: Oscillator Frequency vs Timing Resistance

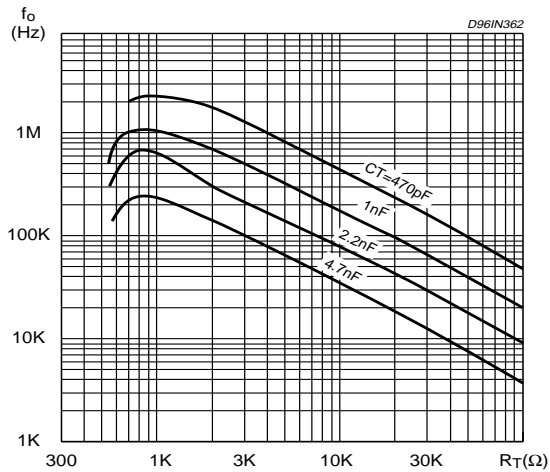
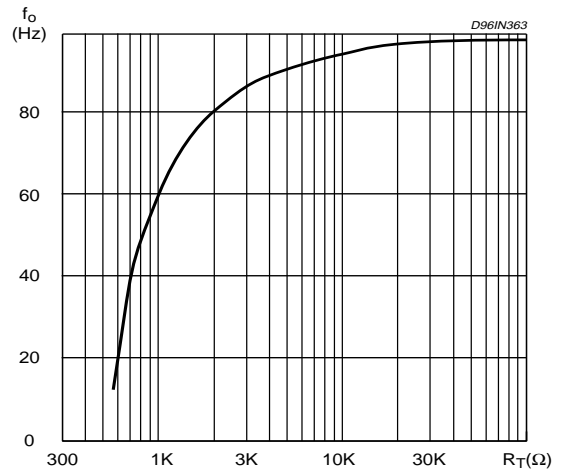
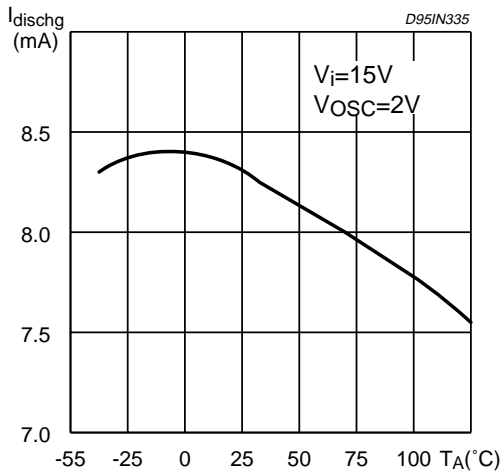


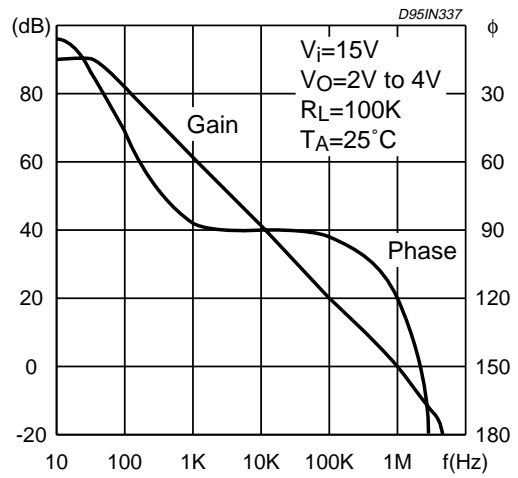
Figure 3: Maximum Duty Cycle vs Timing Resistor



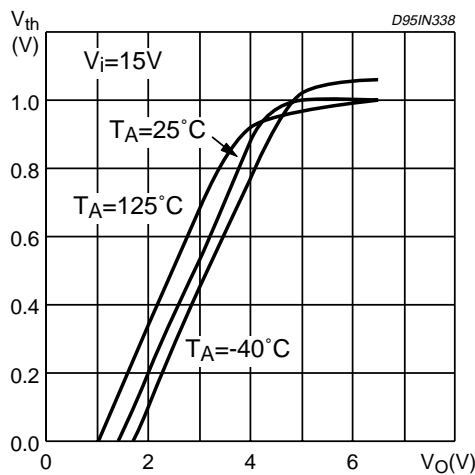
**Figure 4:** Oscillator Discharge Current vs. Temperature.



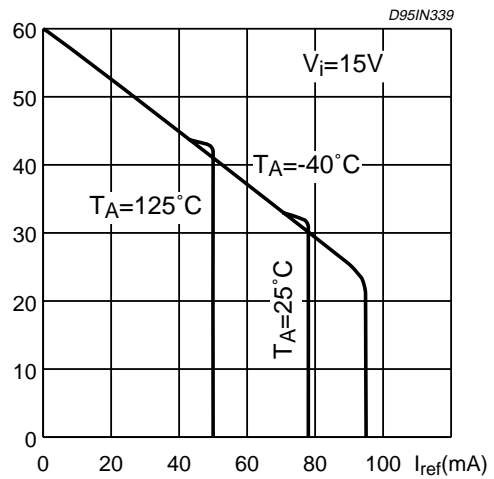
**Figure 5:** Error Amp Open-Loop Gain and Phase vs. Frequency.



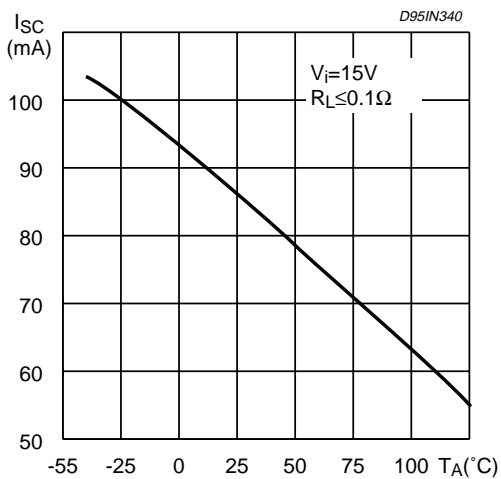
**Figure 6:** Current Sense Input Threshold vs. Error Amp Output Voltage.



**Figure 7:** Reference Voltage Change vs. Source Current.



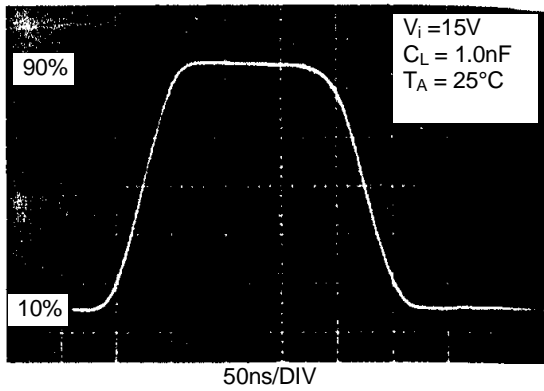
**Figure 8:** Reference Short Circuit Current vs. Temperature.



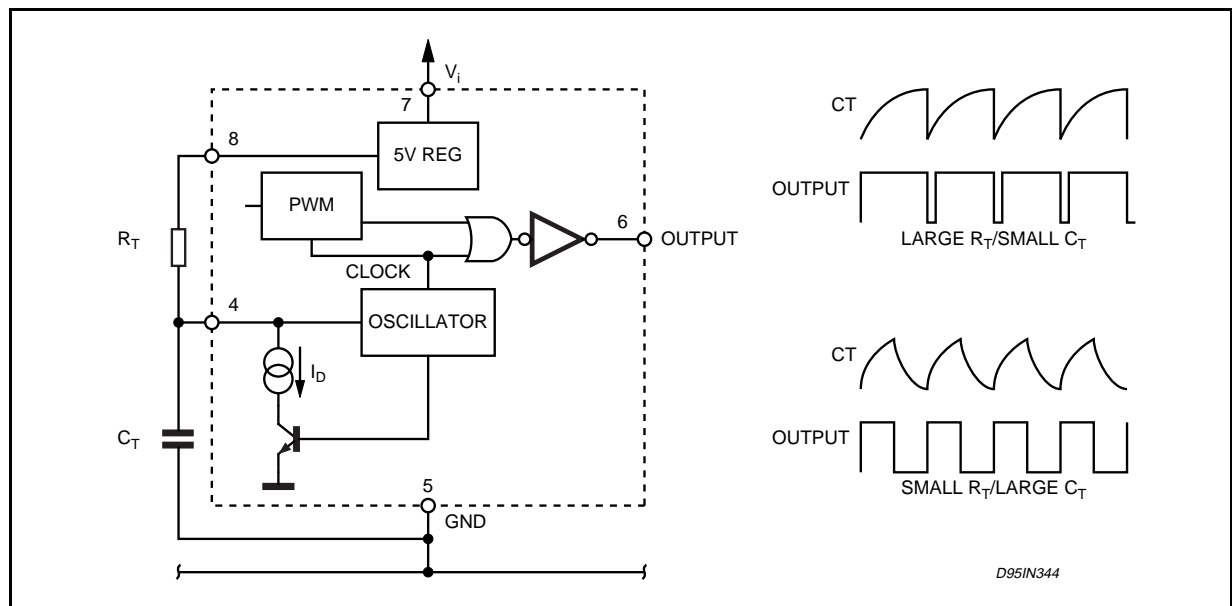
**Figure 9:** Output Saturation Voltage vs. Load Current.



**Figure 11:** Output Waveform.



**Figure 13:** Oscillator and Output Waveforms.



**Figure 10:** Supply Current vs. Supply Voltage.



**Figure 12:** Output Cross Conduction



Figure 14 : Error Amp Configuration.

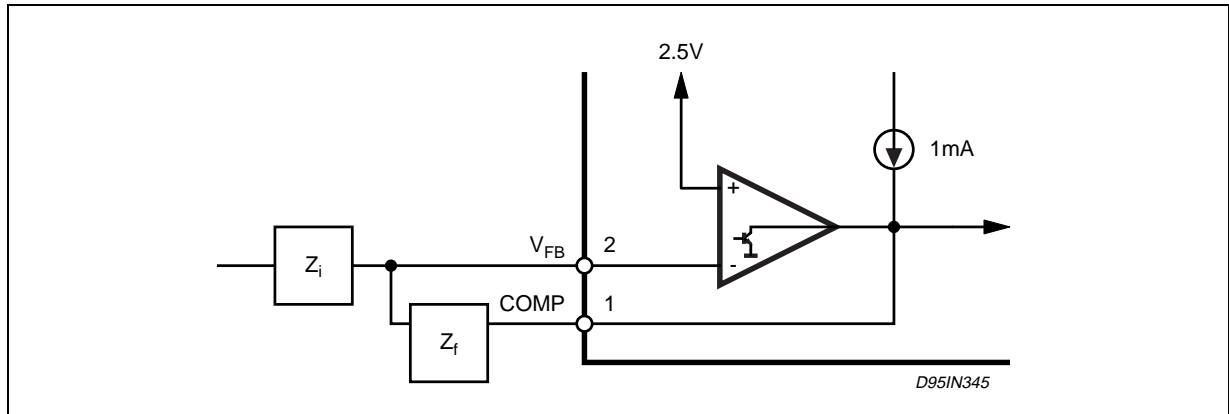


Figure 15 : Under Voltage Lockout.

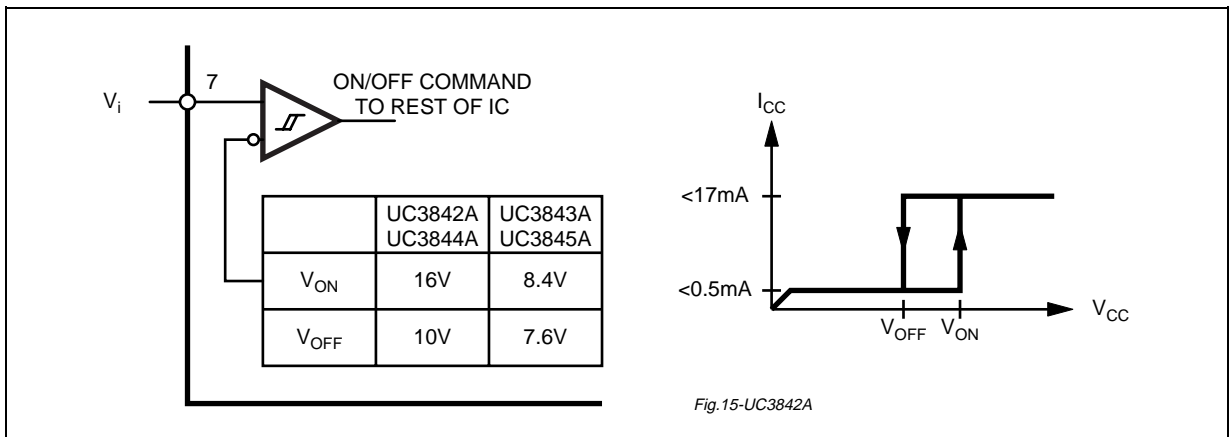
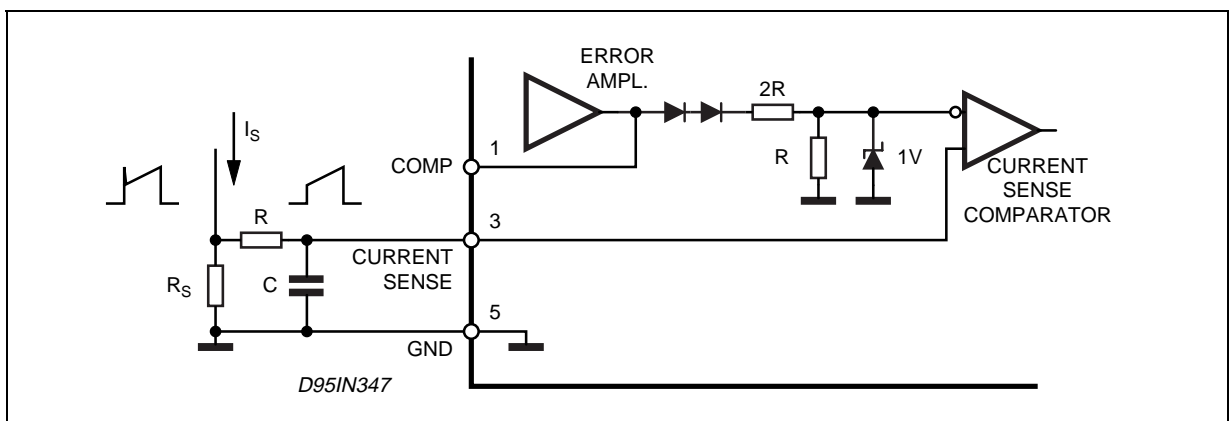


Figure 16 : Current Sense Circuit .



Peak current ( $i_s$ ) is determined by the formula

$$I_{s \max} \approx \frac{1.0 \text{ V}}{R_s}$$

A small RC filter may be required to suppress switch transients.



Figure 17 : Slope Compensation Techniques.

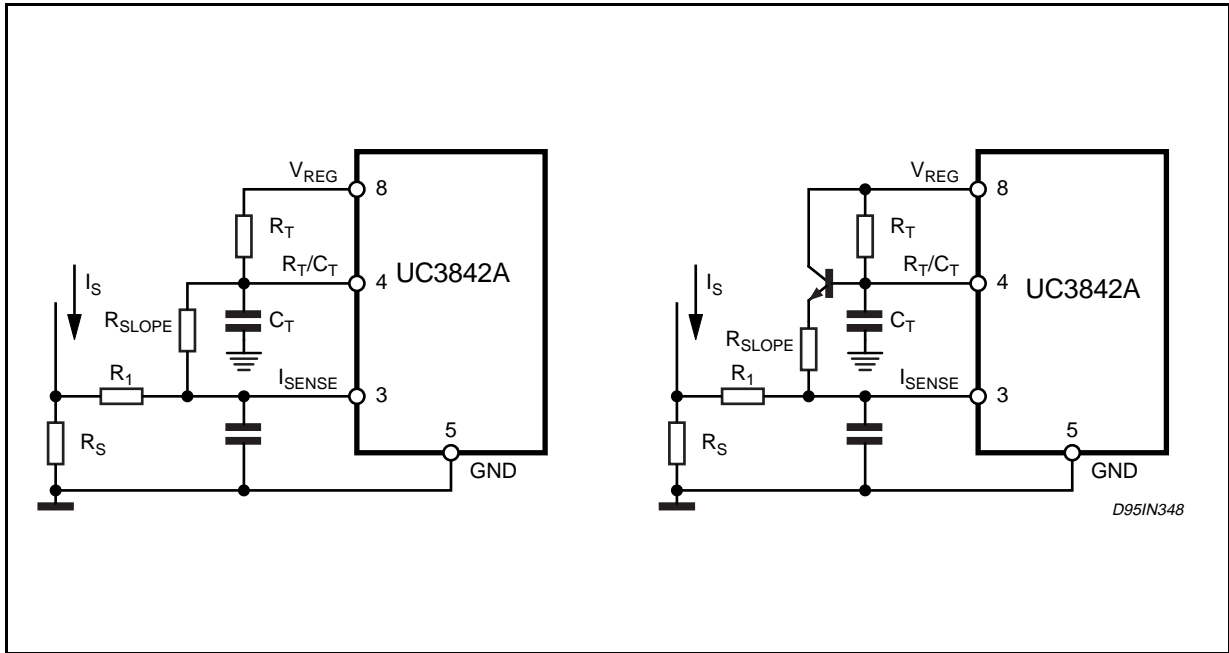


Figure 18 : Isolated MOSFET Drive and Current Transformer Sensing.

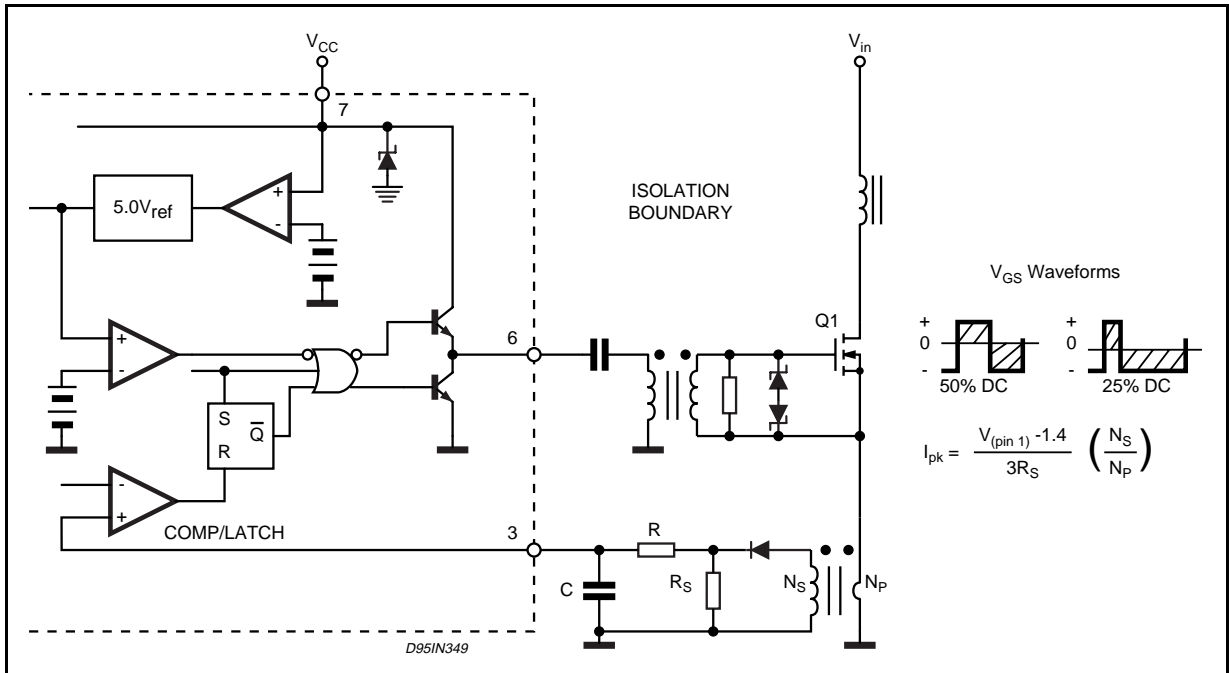


Figure 19 : Latched Shutdown.



Figure 20: Error Amplifier Compensation

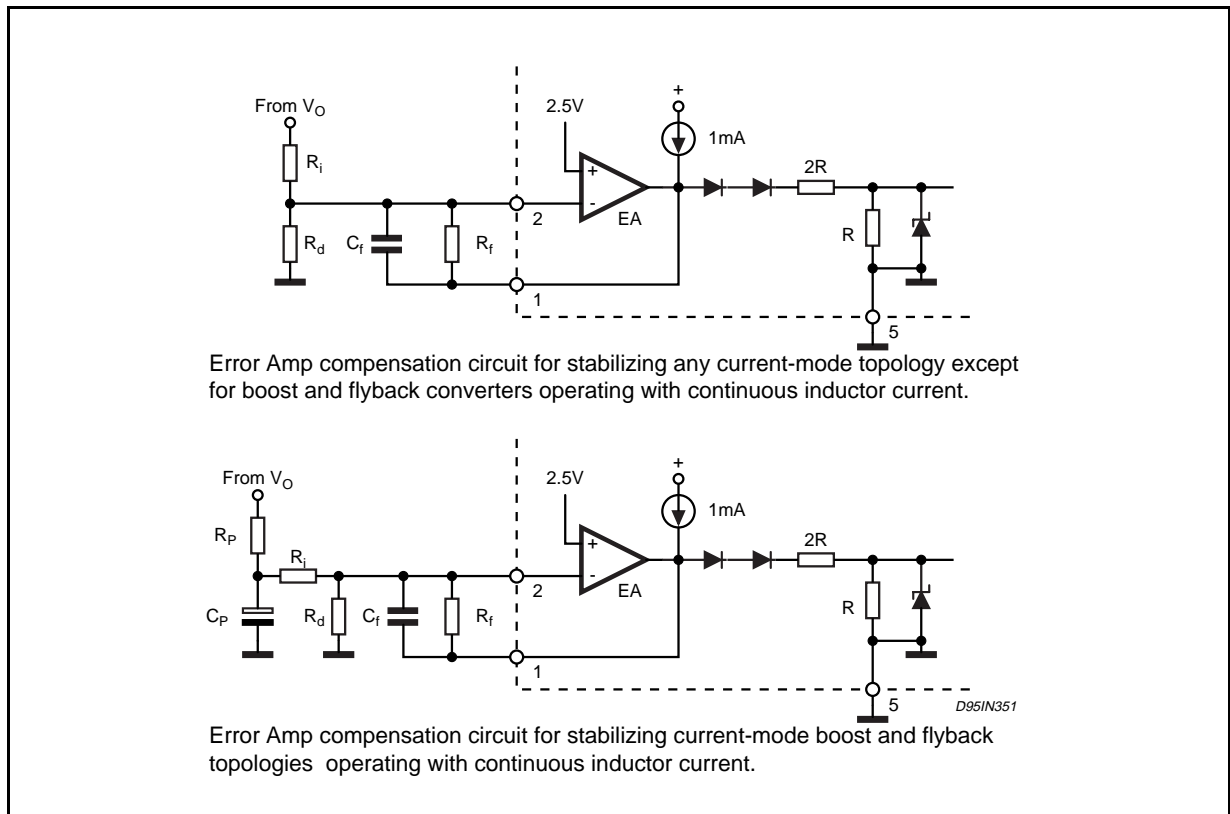


Figure 21: External Clock Synchronization.

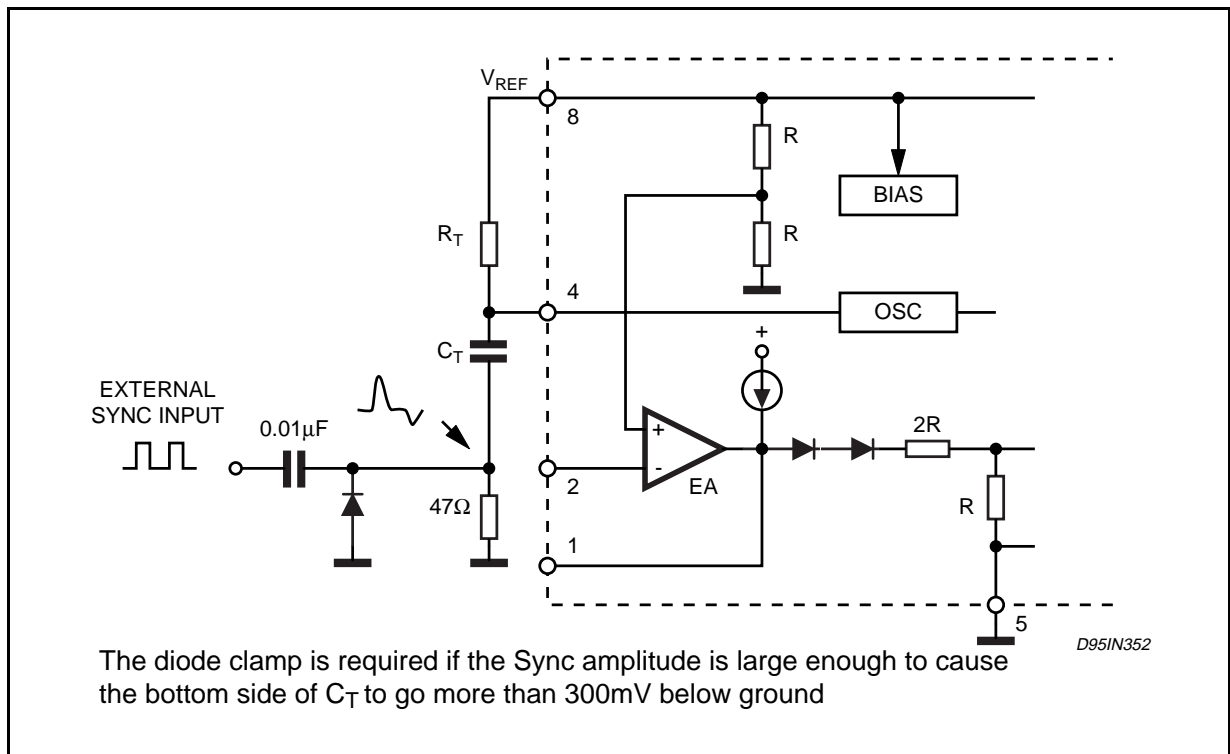


Figure 22: External Duty Cycle Clamp and Multi Unit Synchronization.

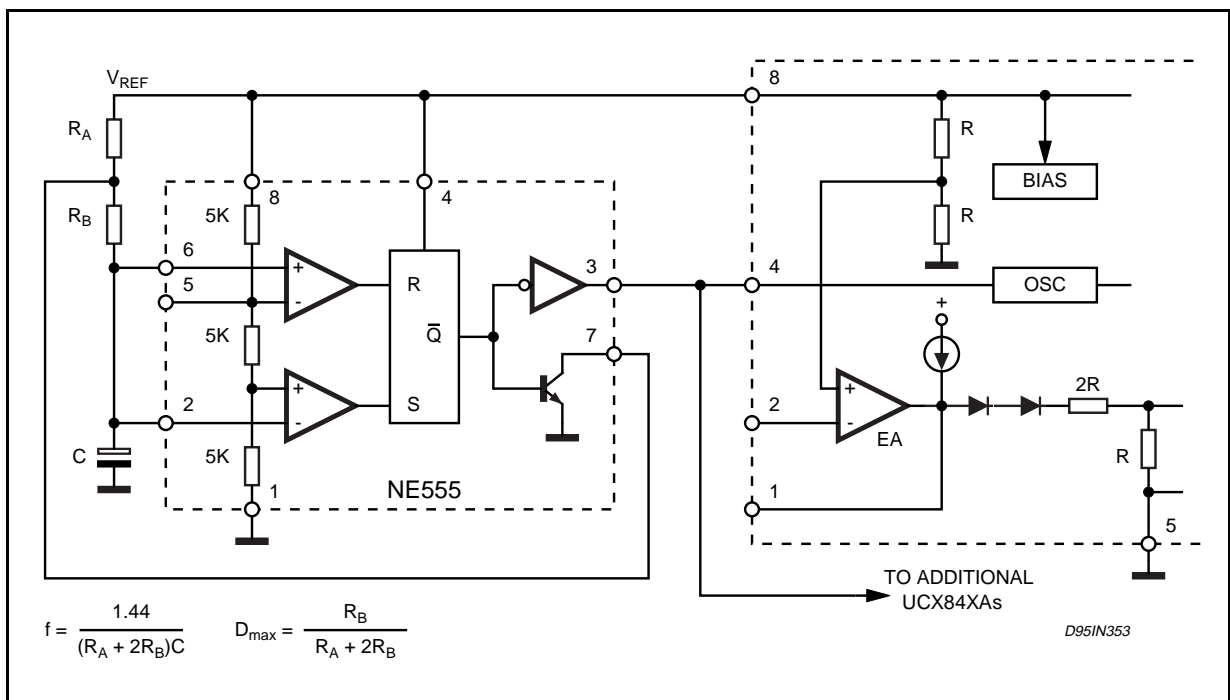
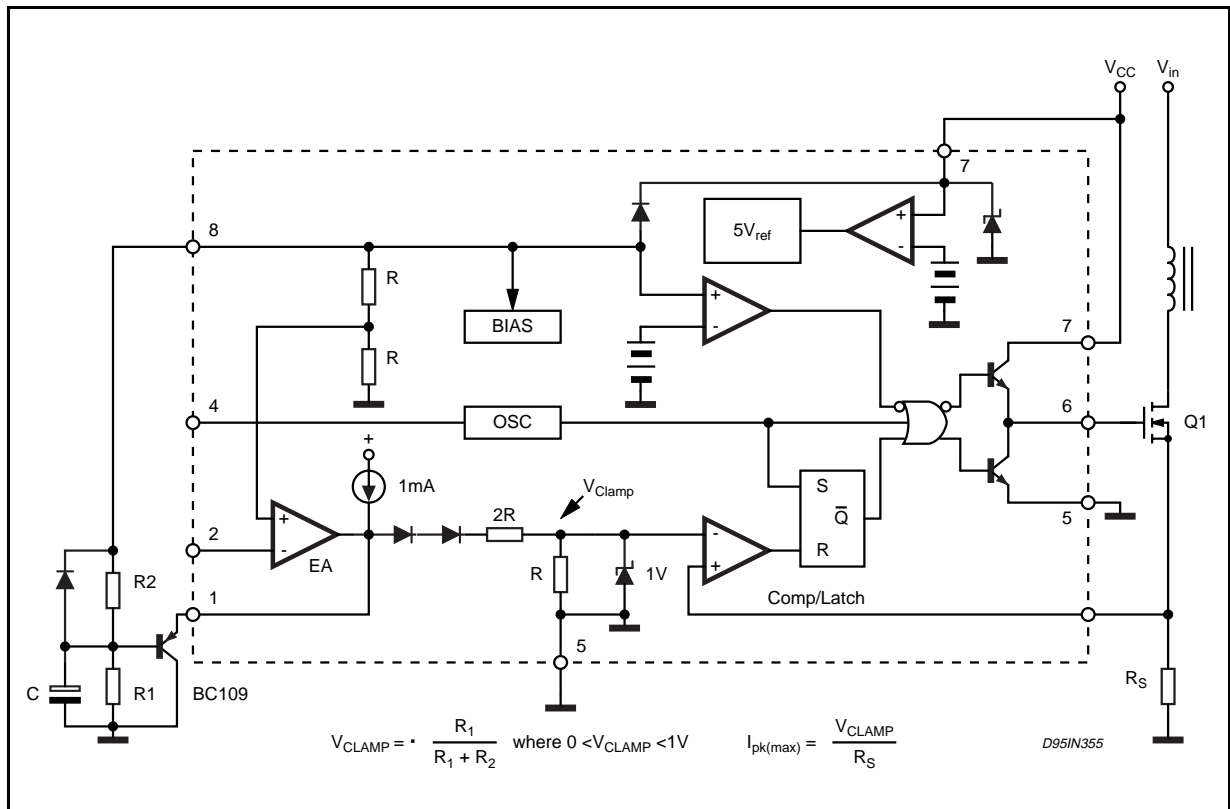


Figure 23: Soft-Start Circuit

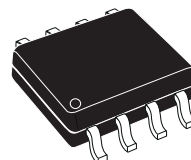


Figure 24: Soft-Start and Error Amplifier Output Duty Cycle Clamp.



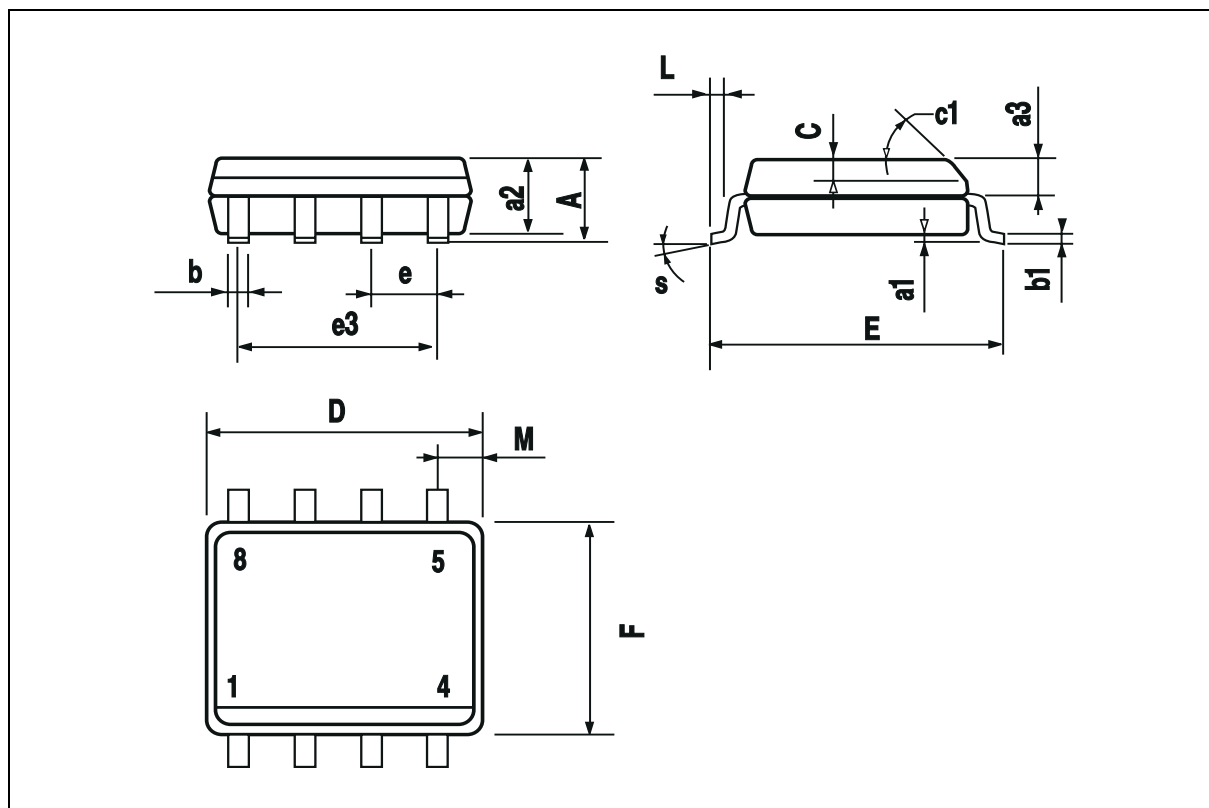
| DIM.  | mm         |      |      | inch  |       |       |
|-------|------------|------|------|-------|-------|-------|
|       | MIN.       | TYP. | MAX. | MIN.  | TYP.  | MAX.  |
| A     |            |      | 1.75 |       |       | 0.069 |
| a1    | 0.1        |      | 0.25 | 0.004 |       | 0.010 |
| a2    |            |      | 1.65 |       |       | 0.065 |
| a3    | 0.65       |      | 0.85 | 0.026 |       | 0.033 |
| b     | 0.35       |      | 0.48 | 0.014 |       | 0.019 |
| b1    | 0.19       |      | 0.25 | 0.007 |       | 0.010 |
| C     | 0.25       |      | 0.5  | 0.010 |       | 0.020 |
| c1    | 45° (typ.) |      |      |       |       |       |
| D (1) | 4.8        |      | 5.0  | 0.189 |       | 0.197 |
| E     | 5.8        |      | 6.2  | 0.228 |       | 0.244 |
| e     |            | 1.27 |      |       | 0.050 |       |
| e3    |            | 3.81 |      |       | 0.150 |       |
| F (1) | 3.8        |      | 4.0  | 0.15  |       | 0.157 |
| L     | 0.4        |      | 1.27 | 0.016 |       | 0.050 |
| M     |            |      | 0.6  |       |       | 0.024 |
| S     | 8° (max.)  |      |      |       |       |       |

**OUTLINE AND MECHANICAL DATA**



**SO8**

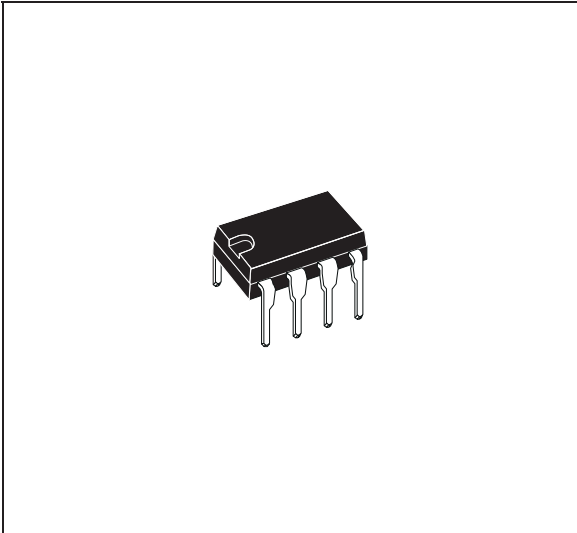
(1) D and F do not include mold flash or protrusions. Mold flash or protrusions shall not exceed 0.15mm (.006inch).



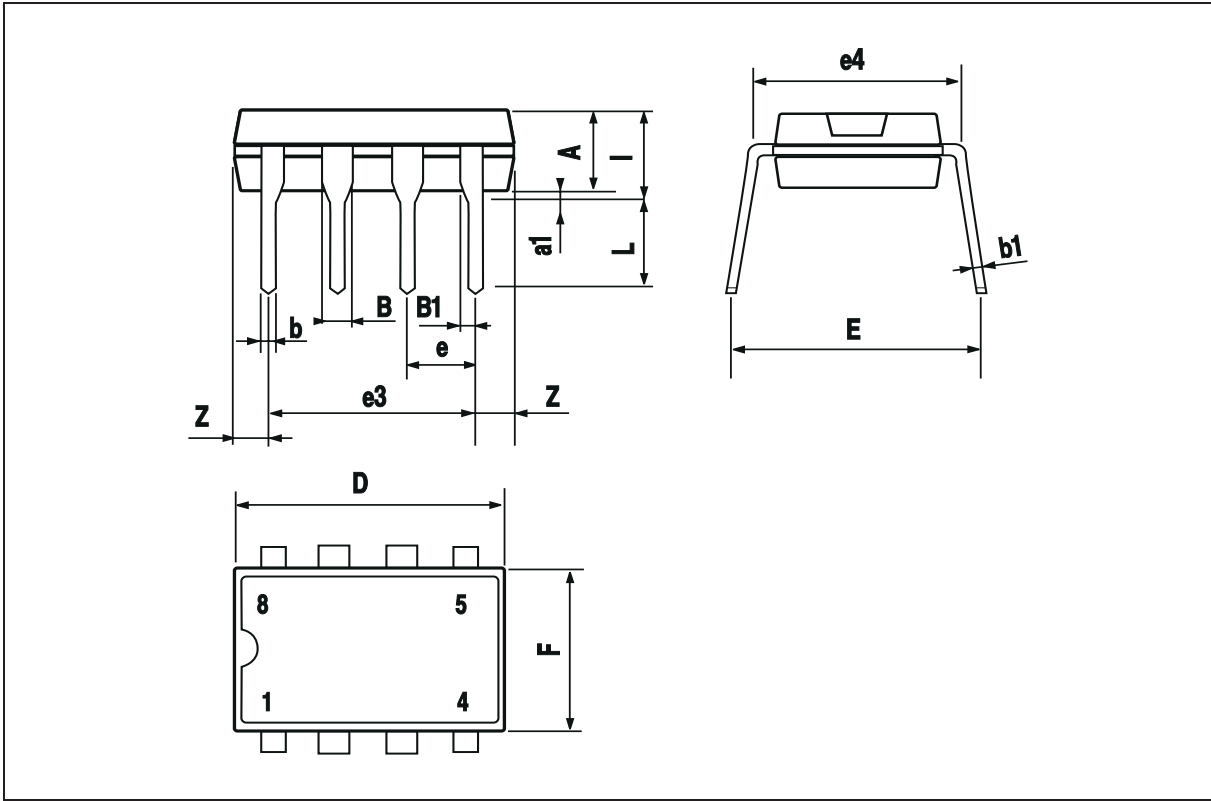
UC2842A/3A/4A/5A - UC3842A/3A/4A/5A

| DIM. | mm    |      |       | inch  |       |       |
|------|-------|------|-------|-------|-------|-------|
|      | MIN.  | TYP. | MAX.  | MIN.  | TYP.  | MAX.  |
| A    |       | 3.32 |       |       | 0.131 |       |
| a1   | 0.51  |      |       | 0.020 |       |       |
| B    | 1.15  |      | 1.65  | 0.045 |       | 0.065 |
| b    | 0.356 |      | 0.55  | 0.014 |       | 0.022 |
| b1   | 0.204 |      | 0.304 | 0.008 |       | 0.012 |
| D    |       |      | 10.92 |       |       | 0.430 |
| E    | 7.95  |      | 9.75  | 0.313 |       | 0.384 |
| e    |       | 2.54 |       |       | 0.100 |       |
| e3   |       | 7.62 |       |       | 0.300 |       |
| e4   |       | 7.62 |       |       | 0.300 |       |
| F    |       |      | 6.6   |       |       | 0.260 |
| I    |       |      | 5.08  |       |       | 0.200 |
| L    | 3.18  |      | 3.81  | 0.125 |       | 0.150 |
| Z    |       |      | 1.52  |       |       | 0.060 |

OUTLINE AND MECHANICAL DATA



Minidip



Information furnished is believed to be accurate and reliable. However, STMicroelectronics assumes no responsibility for the consequences of use of such information nor for any infringement of patents or other rights of third parties which may result from its use. No license is granted by implication or otherwise under any patent or patent rights of STMicroelectronics. Specification mentioned in this publication are subject to change without notice. This publication supersedes and replaces all information previously supplied. STMicroelectronics products are not authorized for use as critical components in life support devices or systems without express written approval of STMicroelectronics.

The ST logo is a registered trademark of STMicroelectronics  
© 1999 STMicroelectronics – Printed in Italy – All Rights Reserved  
STMicroelectronics GROUP OF COMPANIES

Australia - Brazil - Canada - China - France - Germany - Italy - Japan - Korea - Malaysia - Malta - Mexico - Morocco - The Netherlands - Singapore - Spain - Sweden - Switzerland - Taiwan - Thailand - United Kingdom - U.S.A.

<http://www.st.com>

This datasheet has been download from:

[www.datasheetcatalog.com](http://www.datasheetcatalog.com)

Datasheets for electronics components.